

924CE2-T3

M
 DRAWING NUMBER
 X 2
 ISSUE

CHECK

REVISIONS
 A C069061
 LJJ
 15 AUG 91

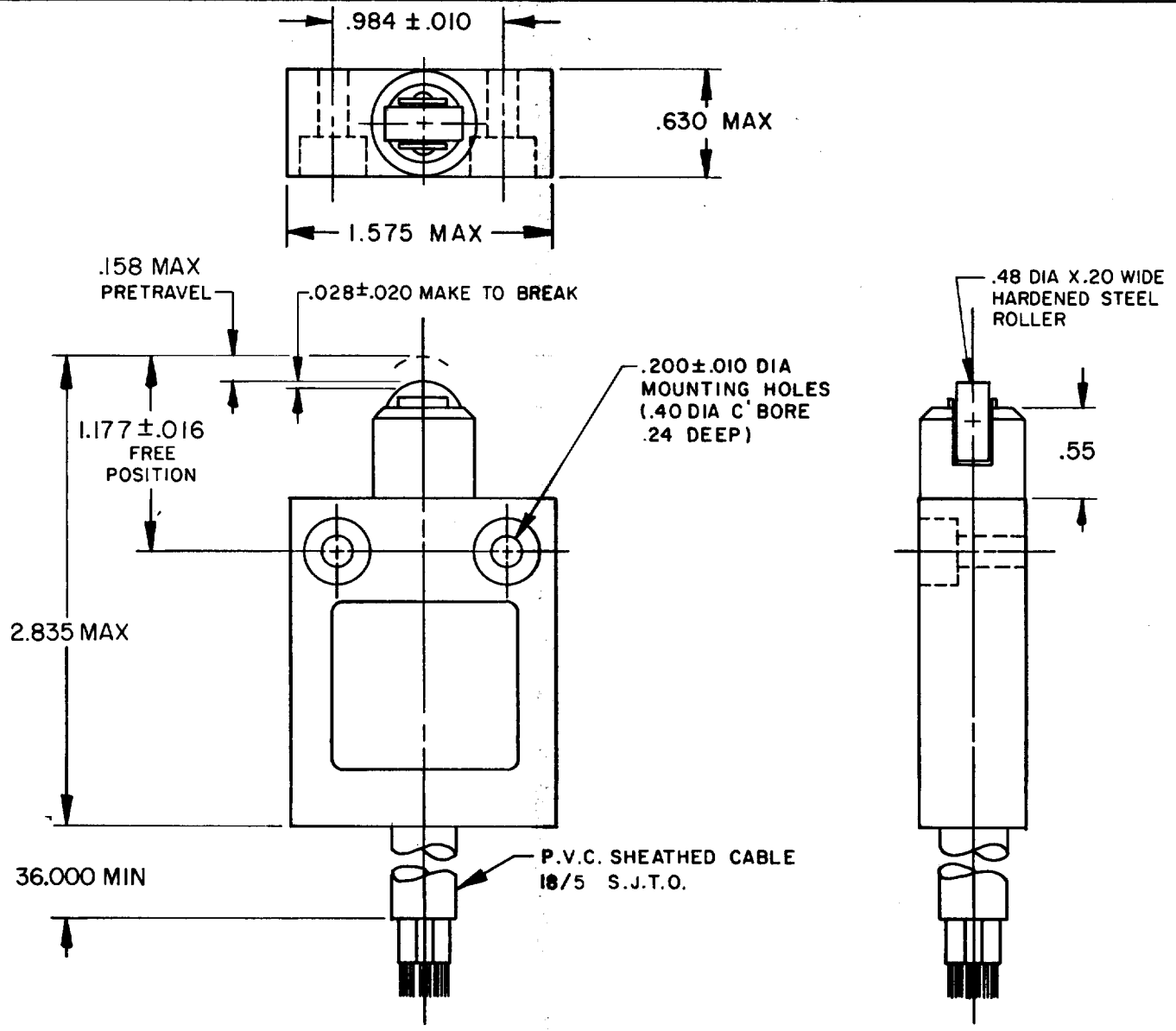
CHECK

CHECK

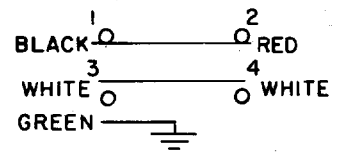
CHECK

FO-52848-A
 DRAWN
 TSK 20 OCT 86
 CHECK

REPLACES
 RELEASE NO. PR 14729

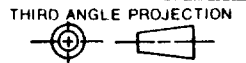


- NOTES
- 1 - ZINC HOUSING FINISHED WITH GRAY PAINT
 - 2 - MAKE BEFORE BREAK CIRCUITRY



CIRCUIT DIAGRAM

THIS DRAWING COVERS A PROPRIETARY ITEM AND IS THE PROPERTY OF MICRO SWITCH, A DIVISION OF HONEYWELL. THIS DRAWING IS NOT TO BE COPIED OR USED WITHOUT THE APPROVAL OF MICRO SWITCH.



CHARACTERISTICS	ELECTRICAL DATA	SCALE FULL																															
OPERATING FORCE - - - - - 5.1 LB MAX	CONTACT ARRANGEMENT S P D T D B	DO NOT SCALE PRINT																															
OVERTRAVEL - - - - - .020 MIN	10A - 250 VAC 1/3 HP - 125 OR 250 VAC 	TOLERANCES APPLY TO DESIGN UNITS. CONVERSIONS ARE ONLY FOR REFERENCE. UNLESS NOTED, TOLERANCES ARE ± <table border="1" style="width: 100%; border-collapse: collapse;"> <thead> <tr> <th></th> <th>DIM. in</th> <th>TOL. mm/in</th> <th>DIM. in</th> <th>TOL. mm/in</th> </tr> </thead> <tbody> <tr> <td>NO PLACES</td> <td>X</td> <td>1/64</td> <td>X X</td> <td>0.07/03</td> </tr> <tr> <td>ONE PLACE</td> <td>X, X</td> <td>0.47/016</td> <td>X X X</td> <td>0.387/015</td> </tr> <tr> <td>TWO PLACES</td> <td>X, X, X</td> <td>0.157/006</td> <td>X X X X</td> <td>0.137/005</td> </tr> <tr> <td>THREE PLACES</td> <td></td> <td></td> <td></td> <td></td> </tr> <tr> <td>ANGLES</td> <td></td> <td></td> <td></td> <td></td> </tr> </tbody> </table> DESIGN UNITS <input type="checkbox"/> METRIC <input checked="" type="checkbox"/> US CUSTOMARY			DIM. in	TOL. mm/in	DIM. in	TOL. mm/in	NO PLACES	X	1/64	X X	0.07/03	ONE PLACE	X, X	0.47/016	X X X	0.387/015	TWO PLACES	X, X, X	0.157/006	X X X X	0.137/005	THREE PLACES					ANGLES				
	DIM. in	TOL. mm/in	DIM. in	TOL. mm/in																													
NO PLACES	X	1/64	X X	0.07/03																													
ONE PLACE	X, X	0.47/016	X X X	0.387/015																													
TWO PLACES	X, X, X	0.157/006	X X X X	0.137/005																													
THREE PLACES																																	
ANGLES																																	
WEIGHT																																	